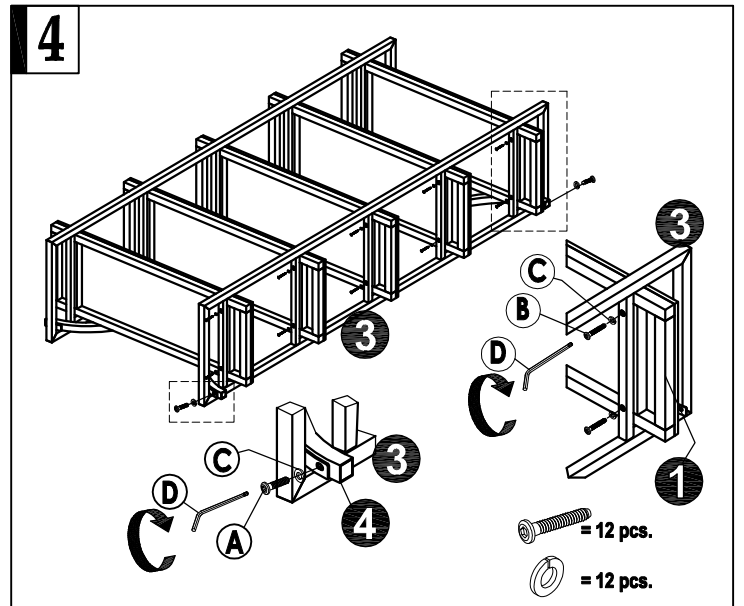
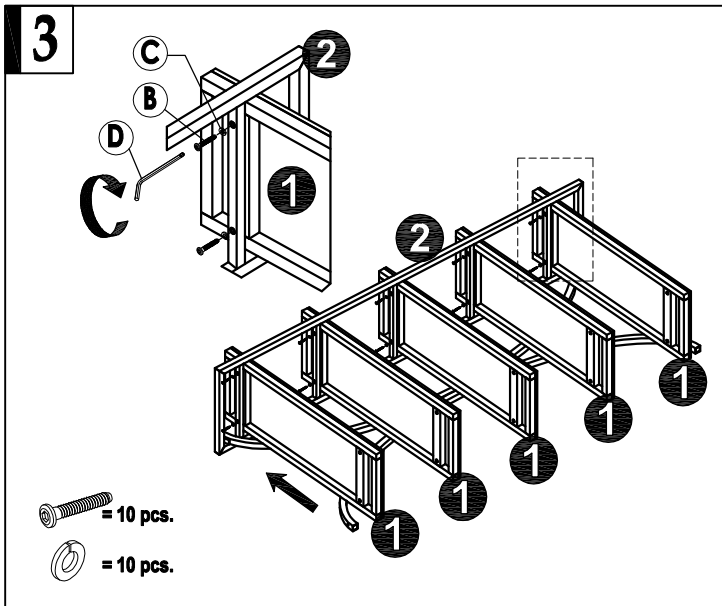
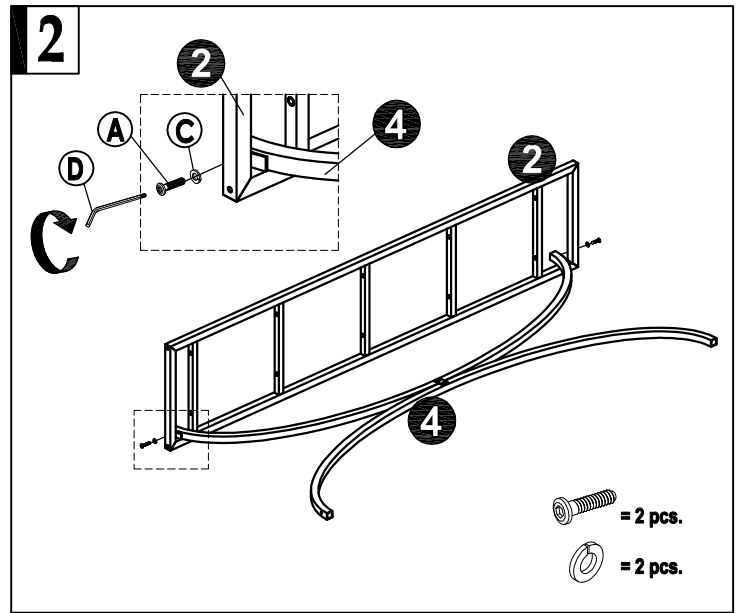
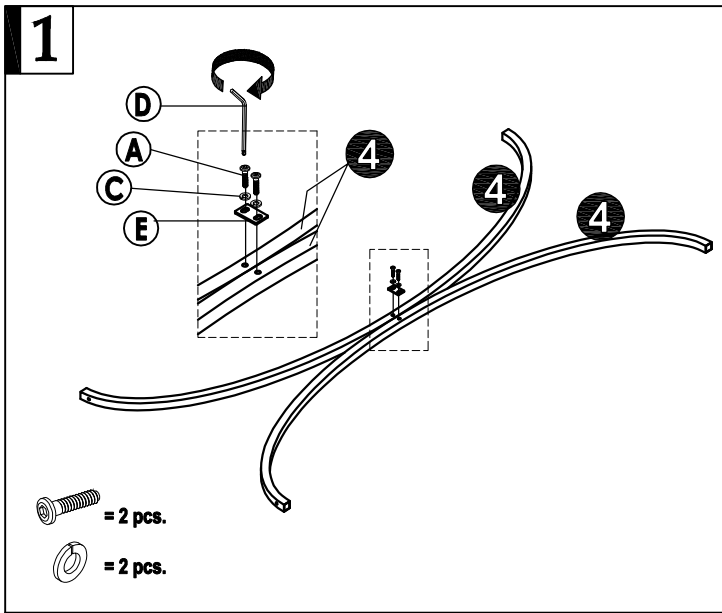
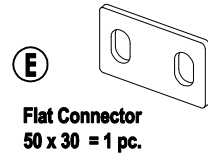
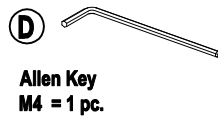
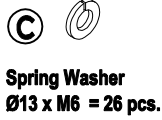
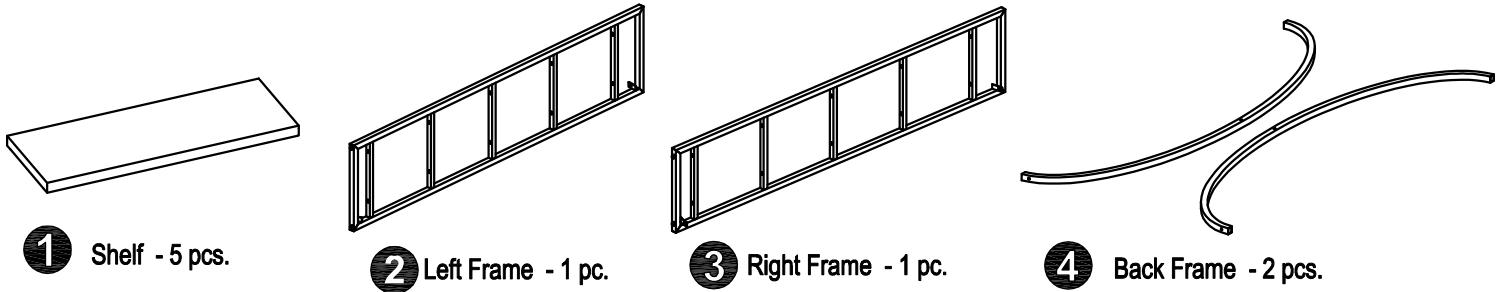


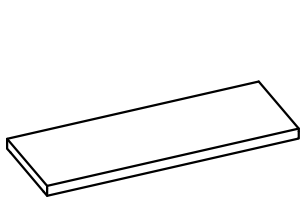
UTTERMOST

ASSEMBLY INSTRUCTION FOR ITEM #22902

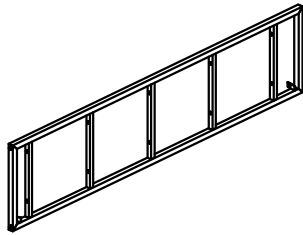


UTTERMOST

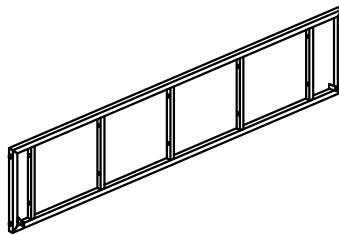
ASSEMBLY INSTRUCTION FOR ITEM #22902



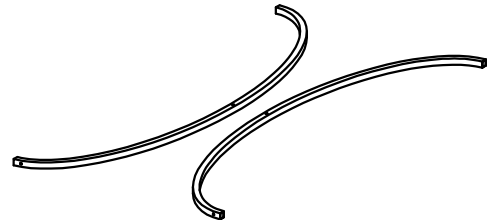
1 Shelf - 5 pcs.



2 Left Frame - 1 pc.



3 Right Frame - 1 pc.



4 Back Frame - 2 pcs.



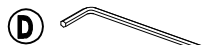
A JCBC M6 x 20mm
= 6 pcs.



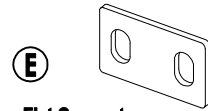
B JCBC M6 x 40mm
= 20 pcs.



C Spring Washer
Ø13 x M6 = 26 pcs.

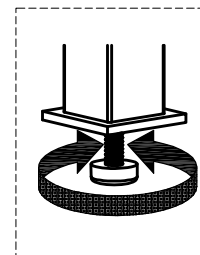
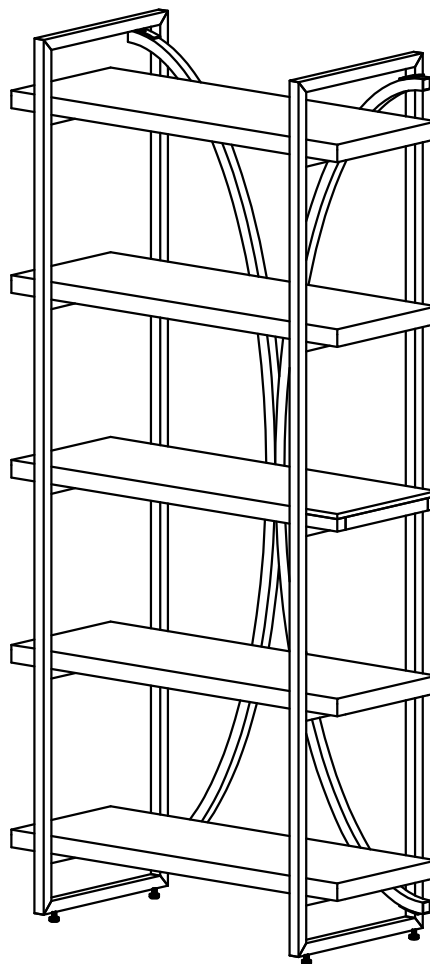


D Allen Key
M4 = 1 pc.



E Flat Connector
50 x 30 = 1 pc.

5



Assembly is completed